

KAM® KF
Karl Fischer Moisture Analyzer

Per API MPMS 10.9, ISO 12937,
ASTM D4928, and EI 386

Designed for portable and lab use in petroleum applications, the all-new KAM® KF continues a tradition of rugged design and advanced features.

KEY FEATURES

- Data storage for up to 300 samples
- USB port
- Fully portable with 24-hour battery life
- Reagent life and expiration notification
- Consumables storage
- Bluetooth®
- Windows based software
- Spanish / English menu options
- Optional printer

The KAM® KF Karl Fischer Moisture Analyzer rapidly and accurately determines the water content of liquid hydrocarbon samples for all custody transfer operations: production, pipeline, marine, or truck. It can also be used to analyze water content in refined products, transformer oils, jet fuels, chemicals, and most other liquids.

Easy to use and fully automatic, KAM® KF Karl Fischer Moisture Analyzers operate with greater accuracy and speed than other water determination methods, generally taking less than five minutes to run a single sample with an accuracy up to ten times higher than centrifuge.

Using coulometric Karl Fischer titration, the KAM® KF analyzes samples sized by volume or weight, determines the water content as low as 1 ppm, and saves the data for up to 100 samples. Results can be printed or downloaded via USB or Windows based software.

KAM® reagents are the highest quality available and come packaged pre-measured for immediate use. Simply open and fill the appropriate cells. The KAM® KF unit automatically notifies you when the reagents have expired.

And the KAM® KF is fully portable with a rugged design suitable for the oil field, a rechargeable battery life of 10 hours, and storage for all required consumables.

Kam[®] KF

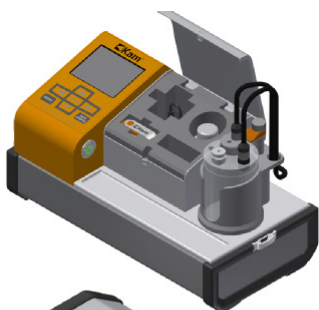
Karl Fischer Moisture Analyzer

Kam[®]

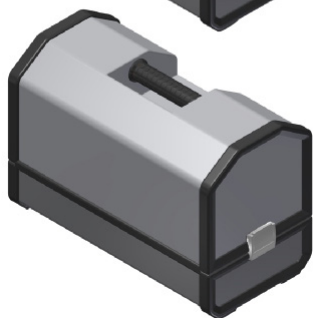
Simple Precision[™]



KAM[®] LKF
Lab model
Compact footprint
ideal for lab use



KAM[®] PKF
Portable model
Fully portable with
rechargeable battery
ideal for field use



Includes lid and
extra storage for all
required consumables



Reagents: Generator solution A,
Generator solution C,
and Check solution



Homogenizer

SPECIFICATIONS

Method:	Coulometric Karl Fischer titration
Detection:	Polarization detection
Control:	Automatic electrolysis current control
Display:	320 x 240 LCD
Data storage:	300 samples
Sample size:	0.1, 0.25, 0.5, 1.0 ml or less than 2 grams (or ml)
Range:	10 μ g - 100,000 μ g H ₂ O
Sensitivity:	1 μ g H ₂ O
Accuracy:	\pm 5 μ g for 10 μ g - 1000mg, 0.5% (C.V.) for over 1000 μ g (meets or exceeds API MPMS 10.9, ASTM D4928, ISO 12937, and EI 386)
Generator	
Electrode Config.:	With diaphragm
Titration speed:	1000 μ g H ₂ O/min. (max. at high H ₂ O concentrations)
Power requirements:	Operates on either AC or DC. AC- 110/120, 220/240 V, 50/60Hz 12V rechargeable lithium battery
Ambient Temperature	5 $^{\circ}$ C - 40 $^{\circ}$ C
Communication:	USB port, Bluetooth [®] , Windows based software
Printer:	Optional
Dimensions:	Portable 15.5" x 8" x 10" (394mm x 203mm x 254mm) Lab 10.5" x 8" x 9" (267mm x 203mm x 229mm)
Weight:	Approx. 16 lbs. (9 kg)

FOR MORE INFORMATION ON KAM PRODUCTS

Phone: +1 713-784-0000

Fax: +1 713-784-0001

Email: sales@kam.com

www.KAM.com

KAM CONTROLS, INC.
3939 Ann Arbor Drive
Houston, TX 77063 USA

KAM CONTROLS IS AN ISO 9001 CERTIFIED COMPANY