

With three different mixing options, KAM is the only manufacturer to offer mixing solutions for every flow scenario. From the simplicity of the patented SMP™ Static Mixing Plate to the SMS™ Static Mixing Spool or the patented ML™ Measurement Loop, KAM engineers will evaluate your application and flow data to determine the optimum solution for your specific needs.

Kam® SMP™
Static Mixing Plate



SPECIFICATIONS AND KEY FEATURES

Ideal for LACT units, metering skids, offshore, etc.

Patented design fits between two flanges

Optional front scoop for horizontal installations

Pipe size: 2" to 48"

Material: Carbon steel, Stainless steel

Pressure ratings: ANSI 150, 300, 600, 900

Per API MPMS Chapter 8.2

Kam® SMS™
Static Mixing Spool



SPECIFICATIONS AND KEY FEATURES

Low pressure drop

Up to 6 mixing elements for lower flows

Pipe size: 2" to 48"

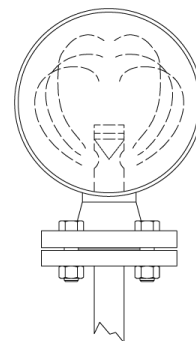
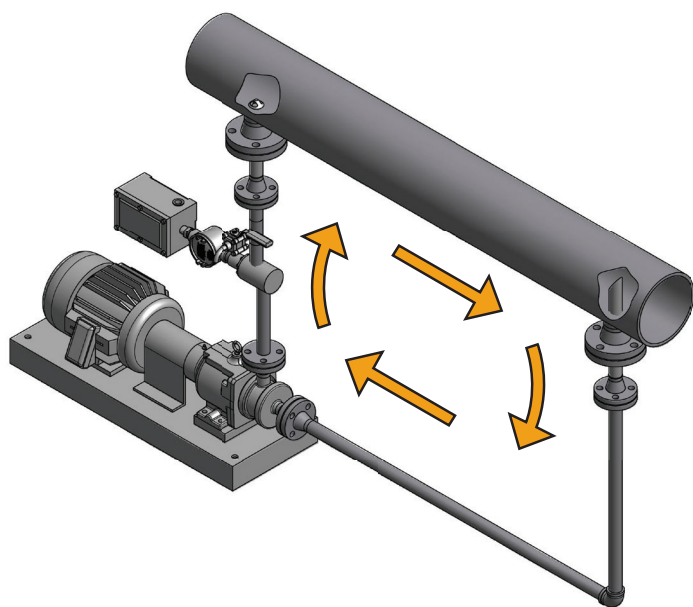
Material: Carbon steel, Stainless steel

Pressure ratings: ANSI 150, 300, 600, 900

Connections: Threaded, flanged, weld-ready

Per API MPMS Chapter 8.2

Kam[®] ML[™]
Measurement Loop



Pipeline cross section
at injection discharge



Ideal for low flow, heavy oil,
and large-diameter pipelines

Watercut and sampling

Consistent velocity

Consistent droplet size ration

Ensures compliances with
API MPMS Chapter 8.2

The ultimate power mixing solution, the patented KAM ML will mix fluids at any velocity. The consistent velocity and homogeneity generated makes the ideal environment for automatic sampling and watercut measurement. Each system is sized to your needs and specific flow regimen by KAM engineers.

FOR MORE INFORMATION ON KAM PRODUCTS

visit WWW.KAM.COM

T: +1 713 784 0000

F: +1 713 784 0001

E: sales@kam.com

KAM CONTROLS, INC.

3939 Ann Arbor Drive

Houston, TX 77063 USA

KAM CONTROLS reserves the right to make changes to this document without notice. OIDLIT0815