

With three different mixing options, KAM is the only manufacturer to offer mixing solutions for every flow scenario. From the simplicity of the SMP[™] Static Mixing Plate, ideal for LACT units, to the standard SMS[™] Static Mixing Spool or the patented ML[™] Measurement Loop for low flows and/or large diameter pipelines, KAM engineers will evaluate your application and flow data to determine the optimum solution for your specific needs.

Kam[®] SMP[™]
Static Mixing Plate



SPECIFICATIONS AND KEY FEATURES

Ideal for LACT units, metering skids, offshore, etc.
Installs between two flanges, minimizing vertical run
Optional front scoop for horizontal installations

Pipe size: 2" to 48"
Material: Carbon steel, Stainless steel
Pressure ratings: ANSI 150, 300, 600, 900
Per API MPMS Chapter 8.2

Kam[®] SMS[™]
Static Mixing Spool



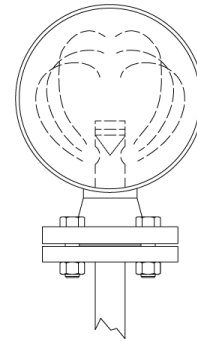
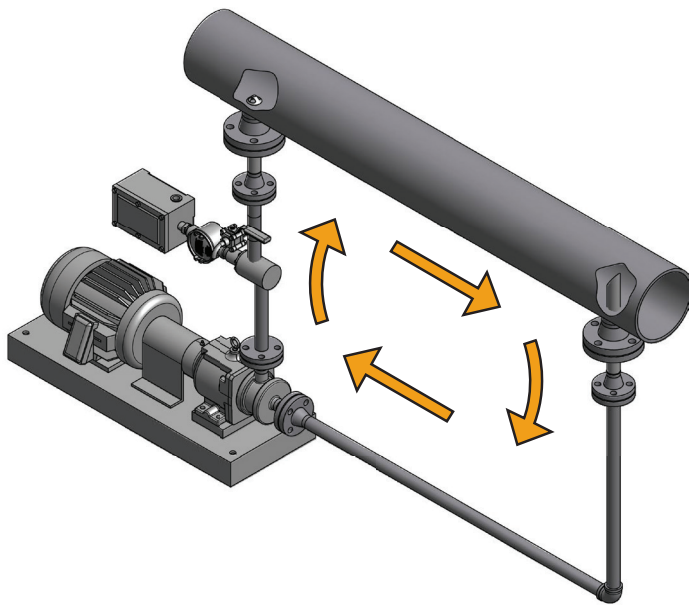
SPECIFICATIONS AND KEY FEATURES

Low pressure drop
Up to 6 mixing elements for lower flows

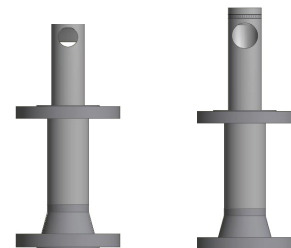
Pipe size: 2" to 48"
Material: Carbon steel, Stainless steel
Pressure ratings: ANSI 150, 300, 600, 900
Connections: Threaded, flanged, weld-ready
Per API MPMS Chapter 8.2

Kam[®] ML[™]

Measurement Loop



Pipeline cross section
at injection discharge



Injection
nozzle

Suction
nozzle

The ultimate power mixing solution, the patented KAM[®] ML[™] will mix fluids at any velocity. The consistent velocity and homogeneity generated makes the ideal environment for automatic sampling and watercut measurement. Each system is sized to your needs and specific flow regimen by KAM engineers.

Ideal for low flow, heavy oil,
and large-diameter pipelines

Watercut and sampling

Consistent velocity

Consistent droplet size ratio

Ensures compliances with
API MPMS Chapter 8.2

FOR MORE INFORMATION ON KAM PRODUCTS

visit WWW.KAM.COM

T: +1 713 784 0000

F: +1 713 784 0001

E: sales@kam.com

KAM CONTROLS, INC.
3939 Ann Arbor Drive
Houston, TX 77063 USA

KAM CONTROLS IS AN
ISO 9001:2015 CERTIFIED COMPANY

